



Infrastructure for the **Future** of the Financial Markets

We provide capital markets infrastructure for the new Web 3.0 financial ecosystem.

Confidential and Proprietary
Copyright Hydra X Pte Ltd.

Company Overview

Hydra X deploys and operates asset-agnostic, regulatory-compliant financial infrastructure for companies looking to enter the Web 3.0 financial markets

- Support for the end-to-end lifecycle of the capital markets: pre-trade, primary and secondary markets, and post-trade
- Our market infrastructure offerings include market technology and regulated market services
- We hold a capital markets services (CMS) licence for dealing and custody for securities and digital assets.
- Our clients are typically exchanges, banks, brokers, and other financial institutions

Team

- > 70 team members distributed globally
- Strong industry experience

Clients and Partners



Winner of **AMTD**
DigFin Innovation Awards 2022:
Capital Markets Fintech of the Year

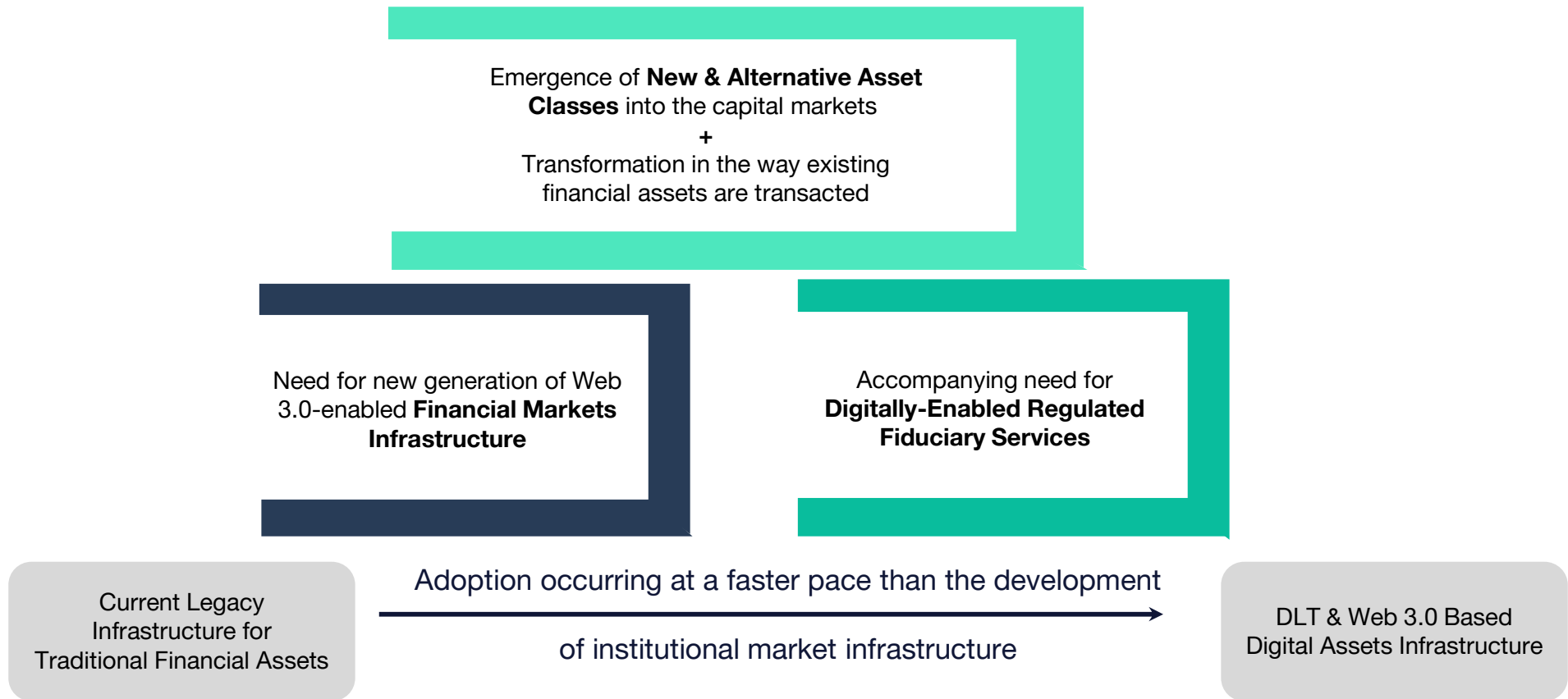


Winner of **APAC Insider Singapore**
Business Awards 2023: Capital Markets
Fintech of the Year

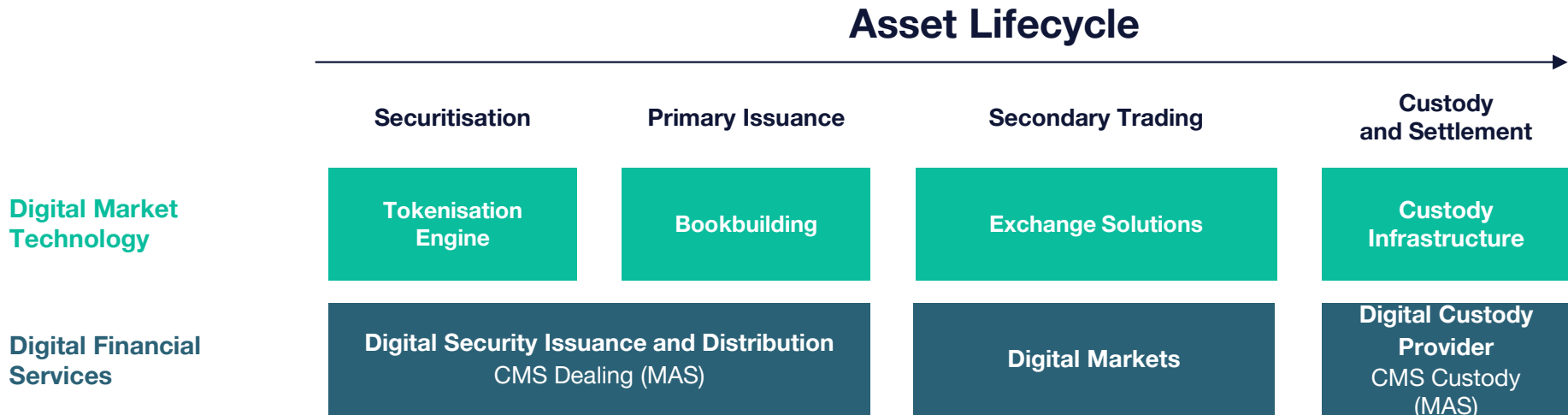


Evolving Capital Markets Landscape: Gaps

However, the adoption of DLT and other Web 3.0 technologies by the financial sector is accelerating rapidly, giving rise to gaps:



Hydra X Solution



We offer regulatory compliant, enterprise solutions for the capital markets to catalyse the transformation from traditional finance (TradFi) to Web 3.0. Our **digital market technology** deployments are cloud-based, rapid and turnkey. We offer **digital financial services**, including regulated digital custody for institutions, to safekeep digital securities and assets.



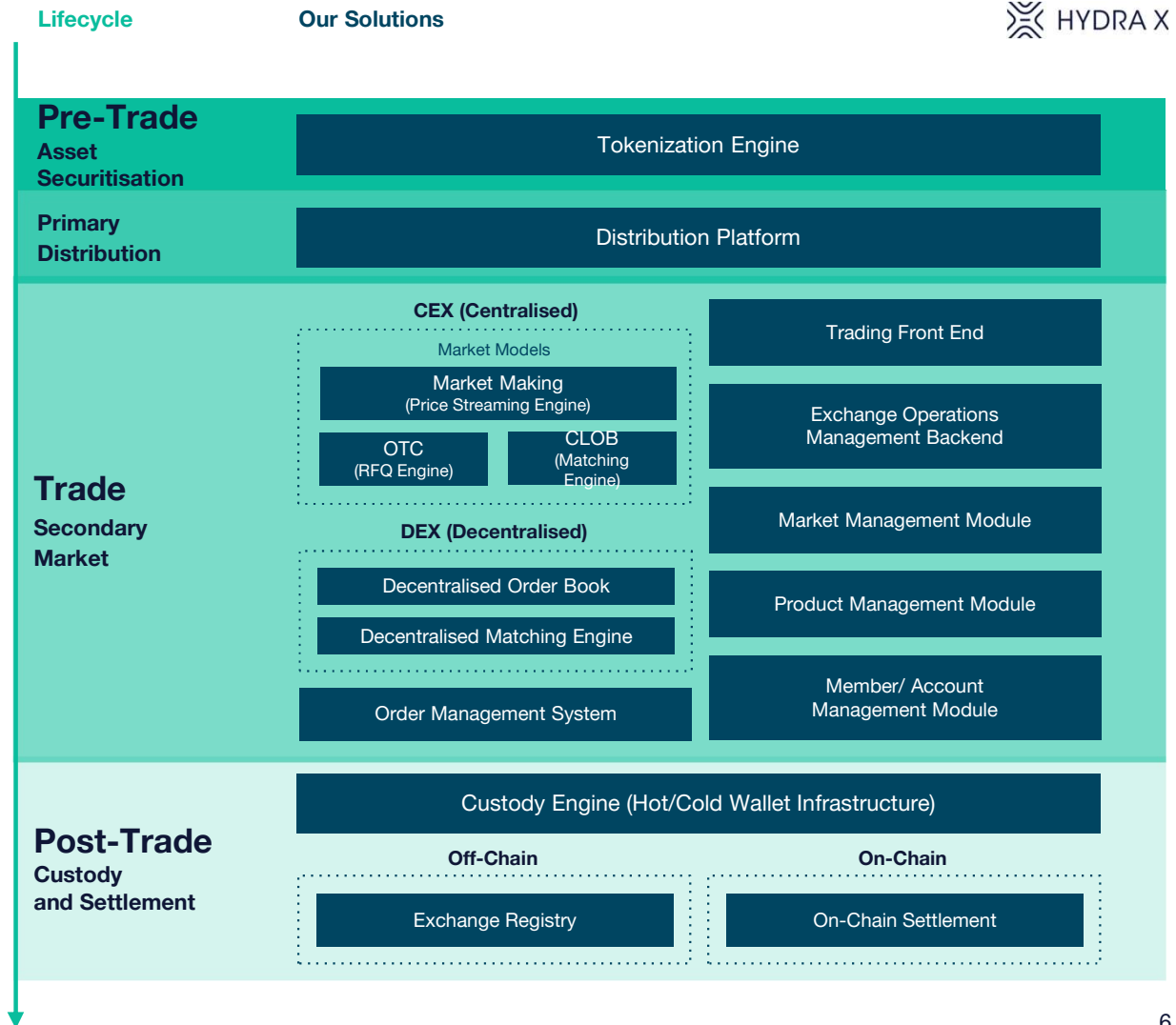
Digital Market Technology

Cloud-based Market Technology Layer

DLT is transformational, but financial institutions do not transform overnight

We **simplify the adoption of DLT for financial institutions** with secure, compliant, and scalable technology solutions

Our infrastructure is built to be asset-agnostic and interoperable between traditional and digital markets



Built for Flexibility

We offer flexible, cloud-based solutions in order to cater to the fluid nature of the developing Web 3.0 financial markets

MULTIPLE MARKET MODELS

CLOB
Centralised counterparty, liquid assets, large consumer base

OTC
Bilateral transactions, block trades, smaller customer base

ESP
Centralised / pooled counterparty, liquid assets

BB
Primary issuance, rules-based distribution

MULTIPLE ASSETS

T
Traditional Finance
Regulated capital markets products: equities, debt, derivatives

A
Alternative Assets
New, emerging asset classes: real estate, art, carbon credits, wine

Co
Commodities
Precious & base metals, rubber, CPO

C
Digital Tokens
NFTs, CBDCs, Crypto, Stable Coins

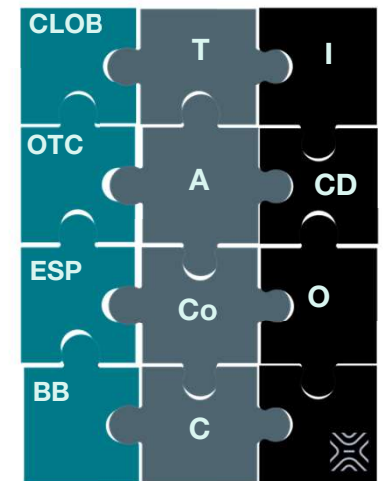
MULTIPLE IMPLEMENTATIONS

I
Intermediary vs Non-Intermediary market access models

CD
Centralized vs Decentralized models

O
On-Chain vs Off-Chain transactions & settlement

SINGLE PLATFORM



Flexible infrastructure for Pre-Trade, Trade and Post Trade segments across multiple asset classes & market models



Digital Financial Services

Asset Tokenisation: Digitalisation of Entire Lifecycle

CMS Dealing (MAS)



Tokenisation Capabilities

- Token smart contract deployment
- Mint, transfer, burn
- Other applicable token functions

Wallet Management

- Hot-Cold wallet infrastructure
- Keys secured in hardware security modules (HSMs)
- MAS-approved custody service
- Multi-party computation (MPC) available

Custody Management

- Accounts management
- On-chain / Off-chain settlement
- Deposit / Withdrawal of tokens and fiat
- Issuance / Redemption of assets
- Reports generation
- Maker-checker configuration

Asset Servicing

- Digital cap table management via blockchain
- Automate parts of corporate actions including but not limited to
 - Debt (coupon payment)
 - Equity (dividends, stock split / consolidation, rights and bonus issuance)

Blockchains: Hydra X can implement the above on **Ethereum**, **Polygon** and **private EVM** compatible networks

Compatible Tokens: ERC-20, ERC-721 (NFT), ERC-1400 (includes certificate management and document management)

Regulated Digital Custody

CMS Custody (MAS)

Regulated custody is a precursor to institutional adoption of digital markets. Hydra X operates as a fully MAS-regulated digital custodian - one of only a handful of in the region

Next-Generation Security and Resilience

- Secure digital asset infrastructure designed for the banking sector
- Financial institution-grade technology, security, and operational frameworks

Comprehensive Compliance

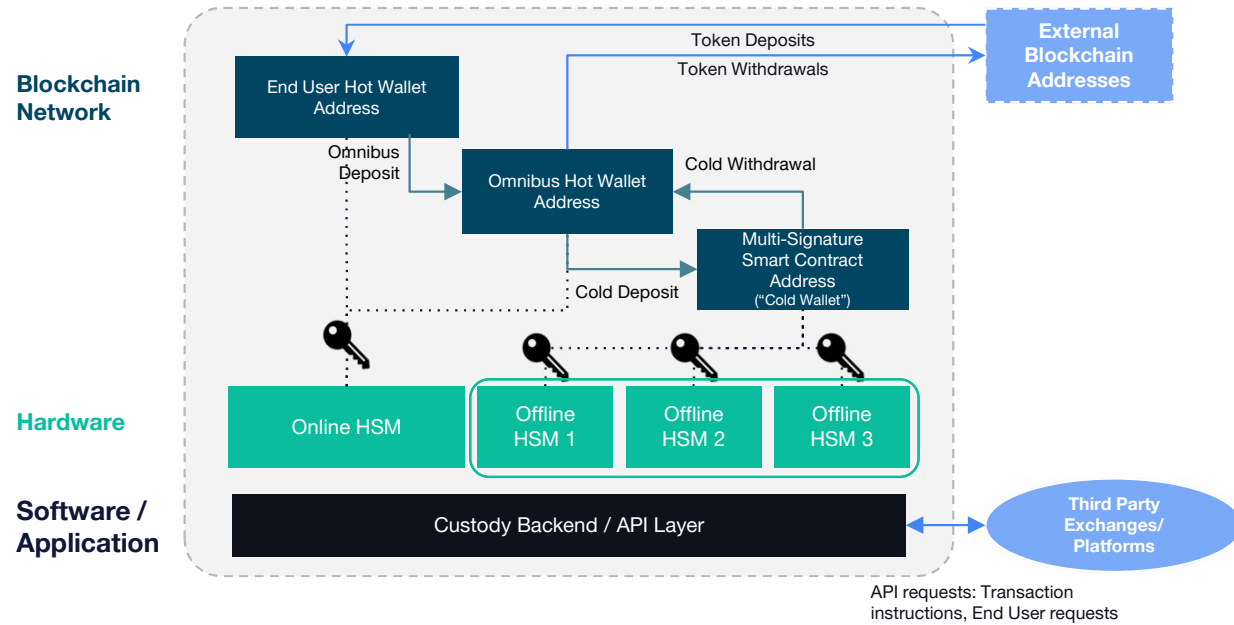
- Fully licensed solution with a focus on regulatory compliance

Trust

- Third-party audited for security compliance capabilities

Value-Added Custody

- Seamless integration with our adjacent front, middle and back office market technology modules, and broader end-to-end ecosystem infrastructure, to break down business silos





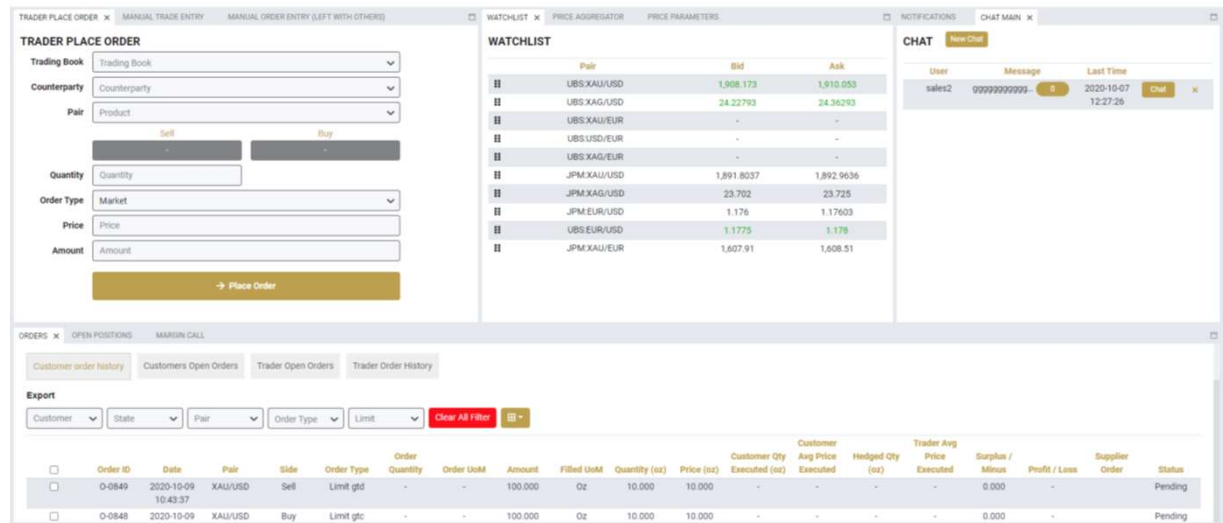
THEIA by HYDRA X

Features

Our Solutions are developed with modules extensively tailored for the precious metals industry

Trading Module

- Smart Order Routing
- Real-time Positions Management
- Formula-based Physical Product Pricing
- Electronic Price Aggregation
- Margin Trading
- Watchlists
- Unfixed Withdrawal
- Trade Reports
- Unfixed Withdrawal
- Liquidity Management
- Loans
- Trading Limits
- Charting



The screenshot displays the HYDRA X trading interface. The top section includes tabs for 'TRADER PLACE ORDER', 'WATCHLIST', and 'CHAT'. The 'TRADER PLACE ORDER' form contains fields for Trading Book, Counterparty, Pair, Quantity, Order Type, Price, and Amount, with a 'Place Order' button. The 'WATCHLIST' table shows various trading pairs with Bid and Ask prices. The 'CHAT' window shows a message from 'sales2'.

The bottom section shows the 'ORDERS' tab with a table of open orders. The table has columns for Order ID, Date, Pair, Side, Order Type, Order Quantity, Order Unit, Amount, Filled Unit, Quantity (oz), Price (oz), Customer Qty Executed (oz), Customer Avg Price Executed, Hedged Qty (oz), Trader Avg Price Executed, Surplus / Minus, Profit / Loss, Supplier Order, and Status.

Order ID	Date	Pair	Side	Order Type	Order Quantity	Order Unit	Amount	Filled Unit	Quantity (oz)	Price (oz)	Customer Qty Executed (oz)	Customer Avg Price Executed	Hedged Qty (oz)	Trader Avg Price Executed	Surplus / Minus	Profit / Loss	Supplier Order	Status
0-0849	2020-10-09 10:43:37	XAU/USD	Sell	Limit gtd	-	-	100.000	Oz	10.000	10.000	-	-	-	-	0.000	-	-	Pending
0-0848	2020-10-09	XAU/USD	Buy	Limit gtc	-	-	100.000	Oz	10.000	10.000	-	-	-	-	0.000	-	-	Pending

Back Office Module

- Premiums management
- Order Tracking
- Trade Tracking
- Asset and trading pair creation
- Loans, Deposits and Withdrawals

Client Management Module

- Customer onboarding
- Account creation
- Order management
- Credit and exposure limits



HYDRAX

Contact us: info@hydrax.io